

4-column presses

Series MA/MAG



Picture shows:
Rigid construction 4-column presses.
Flexible also available in custom sizes.

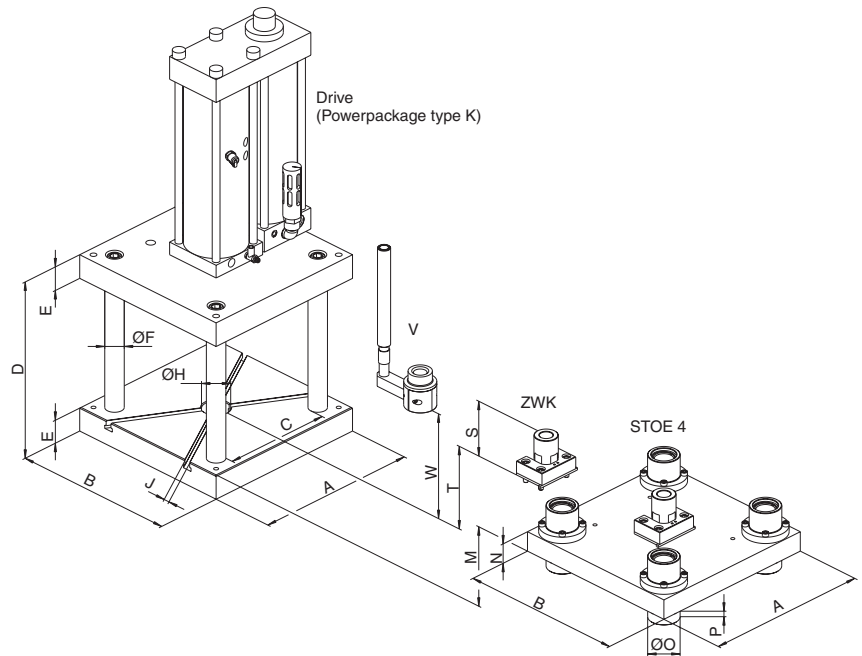
Example: press MA

consisting of:

- MA..... 4-column press
- Drive TOX®-Powerpackage S/K/KT/EPM
- UUM..... universal base frame (see page 15)
- STE safety control

Additional Accessories

- T-slot..... T-slots for bed
- V..... anti-torsion lock
- STOE 4 4-column ram guide
- ZDO..... pressure switch
- ZPS..... load cell
- ZWK..... tool holding fixture



TOX®-Presses MA and MAG (MA = standard, MAG - large tool area)

order number	max. loading capacity kN	TOX®-Powerpackage									optional				with ram guide				with tool holding fixture		W*	weight press kg	weight ram guide kg
			A	B	C	D	E	ØF	ØH	J	H12	M	N	ØO	P	S	T						
MA 001	10	S / K 1	246	246	150	383,0	27	25	50	8	250	22	45	33	60	270	287	29	14				
MA 002	20	S / K 2	246	246	150	385,0	27	25	50	8	250	22	45	33	60	272	287	29	14				
MA 004	40	S / K 4	296	296	190	410,5	36	30	50	10	250	36	52	39	60	286	286	55	29				
MA 008	80	S / K 8	346	346	205	507,0	46	40	60	10	300	46	67	36	70	356	346	99	52				
MA 015	150	S / K 15	396	396	255	528,0	56	40	60	12	300	46	67	36	70	366	356	148	65				
MA 030	300	S / K 30	446	446	305	579,0	66	50	60	12	300	56	78	44	110	356	376	225	98				
MA 050	500	S / K 50	496	496	330	614,0	76	60	60	12	300	66	93	59	120	366	381	321	141				
MA 075	750	S / K 75	646	646	420	772,0	116	80	60	18	350	76	130	74	150	446	460	815	293				
MA 100	1000	S / K 100	696	696	420	862,0	136	100	60	18	350	86	157	89	150	516	560	1140	400				
MA 200	2000	S / K 170	796	796	465	982,0	156	125	60	18	400	96	185	119	200	556	request	1739	603				
MAG 008	80	S / K 8	446	446	305	577,0	56	40	60	12	350	46	67	36	70	416	406	188	80				
MAG 015	150	S / K 15	446	446	305	628,0	76	40	60	12	350	56	67	26	90	426	436	249	95				
MAG 030	300	S / K 30	596	596	455	699,0	96	50	60	12	350	76	78	24	110	446	466	554	219				
MAG 050	500	S / K 50	596	596	430	754,0	116	60	60	12	350	76	93	49	140	446	481	675	224				
MAG 075	750	S / K 75	746	746	520	872,0	136	80	60	18	400	86	130	64	150	526	540	1259	417				
MAG 100	1000	S / K 170	796	796	520	912,0	136	100	60	18	400	86	157	89	150	566	580	1471	501				
MAG 200	2000	S / K 170	896	896	565	1032,0	156	125	60	18	450	96	185	119	200	606	request	2172	731				

All dimensions in mm.

* with anti-torsion lock