

# C-frame bed presses

## Series MCC



Picture shows:  
MCC frame with mini ram-guide and  
S-type Powerpackage.

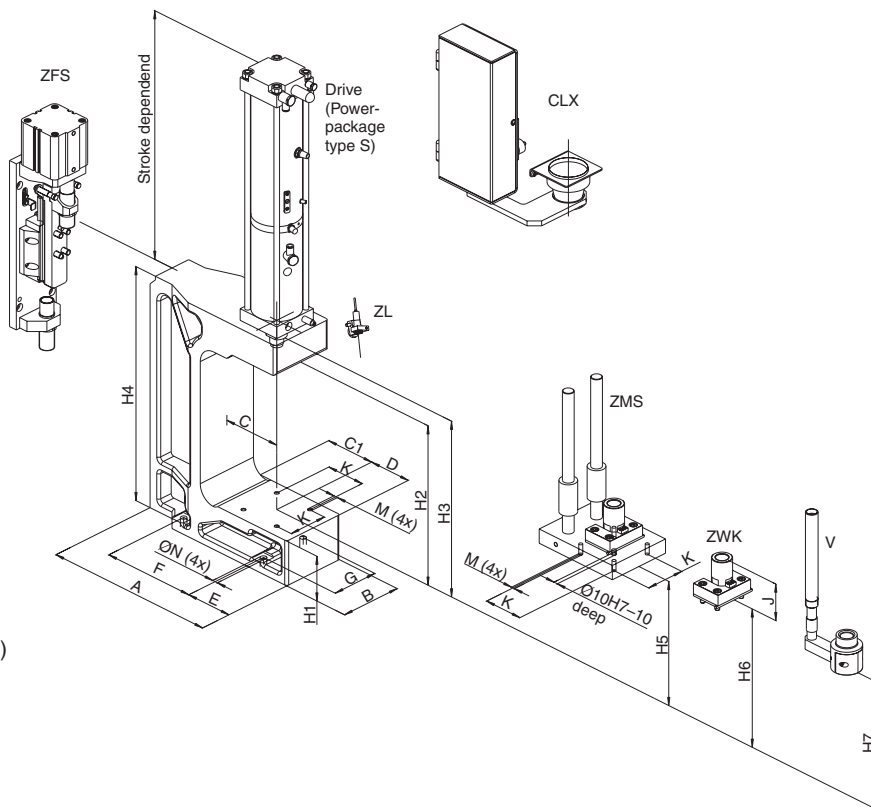
### Example: press MCC

consisting of:

- MCC ..... TOX®-Press frame (see page 15)
- Drive ..... TOX®-Powerpackage  
S/K/KT/EPM
- UUM ..... universal base frame
- STE ..... safety control

### Additional Accessories

- ZDO ..... pressure switch
- CLX ..... safety device (see page 16)
- ZL ..... target feature with light  
spot (see page 16)
- ZFS ..... indexing slide
- V ..... anti-torsion lock
- ZPS ..... load cell
- ZMS ..... mini ram-guide
- ZWK ..... tool holding fixture



### Mini ram-guide ZMS

Bushings, columns and tool coupling ZWK are included. The center pilot hole provides precise alignment for plate rework.

### TOX®-Presses MCC

| order number | max. loading capacity kN | TOX®-Powerpackage | A   | B   | C   | C1  | D appr. | E   | F   | G   | H1  | H2    | H3  | H4    | H5  | H6  | H7  | J   | K   | M   | ØN |
|--------------|--------------------------|-------------------|-----|-----|-----|-----|---------|-----|-----|-----|-----|-------|-----|-------|-----|-----|-----|-----|-----|-----|----|
| MCC 002      | 20                       | S / K 2           | 255 | 100 | 100 | 80  | 55      | 45  | 155 | 70  | 65  | 270,0 | 295 | 386,0 | 195 | 225 | 220 | 70  | 60  | M8  | 9  |
| MCC 004      | 40                       | S / K 4           | 380 | 130 | 150 | 125 | 80      | 60  | 240 | 90  | 90  | 293,5 | 330 | 448,5 | 220 | 250 | 238 | 80  | 100 | M8  | 14 |
| MCC 008      | 80                       | S / K 8           | 441 | 160 | 150 | 125 | 110     | 90  | 240 | 120 | 110 | 390,0 | 430 | 575,0 | 305 | 340 | 313 | 90  | 100 | M10 | 14 |
| MCC 015      | 150                      | S / K 15          | 480 | 200 | 150 | 125 | 130     | 100 | 260 | 160 | 150 | 411,0 | 480 | 666,0 | 320 | 360 | 341 | 120 | 150 | M10 | 14 |

All dimensions in mm.