

C-frame bed presses

Series MC



Picture shows:
Stable cast iron construction
with adjustable tool area.

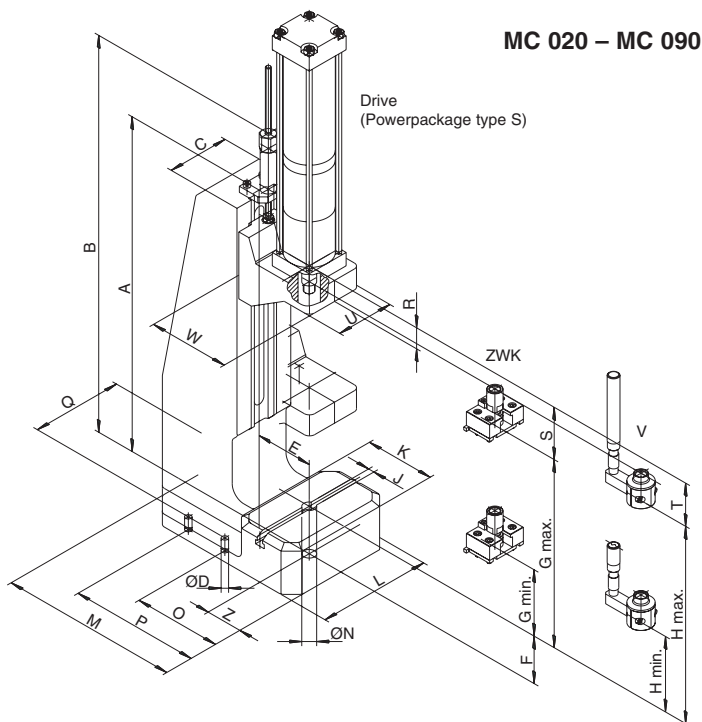
Example: press MC

consisting of:

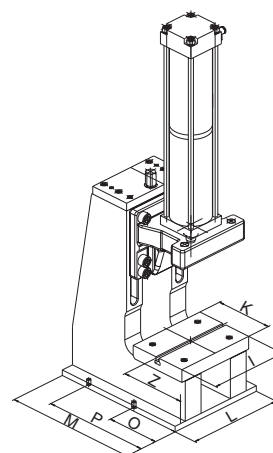
- MC..... TOX®-Press
- Drive TOX®-Powerpackage
S/K/KT/EPM
- ZWK..... tool holding fixture
- STE safety control (see page 17)
- UUM..... universal base frame (see p. 15)

Additional Accessories

- V anti-torsion lock
- ZDO..... pressure switch



MC 150



TOX®-Presses MC

| order number | max. capacity kN | TOX®-Powerpackage | A | B | C | ØD | E | F | G _{min.} | G _{max.} | H _{min.} | H _{max.} | T-slot DIN J _{H11} | K | I | L | M | Ø N | O | P | Q | R | S | T | U | W | Z |
|--------------|------------------|-------------------|-----|-----|-----|-----------|-----|-----|-------------------|-------------------|-------------------|-------------------|-----------------------------|-----|-----|-----|-----|-----|-----|-----|-----|------|------|------|-----|-----|-----|
| MC 020 | 20 | S / K 2 | 550 | 685 | 102 | 2xØ10x21 | 86 | 78 | 109 | 309 | 124 | 324 | 10 | 115 | - | 187 | 295 | 20 | 145 | - | 150 | 34,5 | 86 | 71 | 95 | 134 | 60 |
| MC 048 | 48 | S / K 4 | 545 | 590 | 160 | 2xØ14x90 | 130 | 105 | 131,5 | 291,5 | 131,5 | 291,5 | 14 | 190 | - | 250 | 385 | - | 235 | - | 200 | 43,5 | 88,5 | 88,5 | 120 | 190 | 95 |
| MC 090 | 90 | S / K 8 | 660 | 705 | 210 | 2xØ14x145 | 150 | 160 | 209 | 305 | 199 | 295 | 14 | 220 | - | 310 | 500 | - | 290 | - | 260 | 57,0 | 105 | 115 | 205 | 220 | 105 |
| MC 150 | 150 | S / K 15 | 703 | 751 | 270 | 4xØ13x20 | 150 | 211 | 196 | 296 | 181 | 281 | 14 | 216 | 296 | 360 | 500 | - | 200 | 400 | 325 | 72,0 | 126 | 141 | 280 | 253 | 110 |

All dimensions in mm.